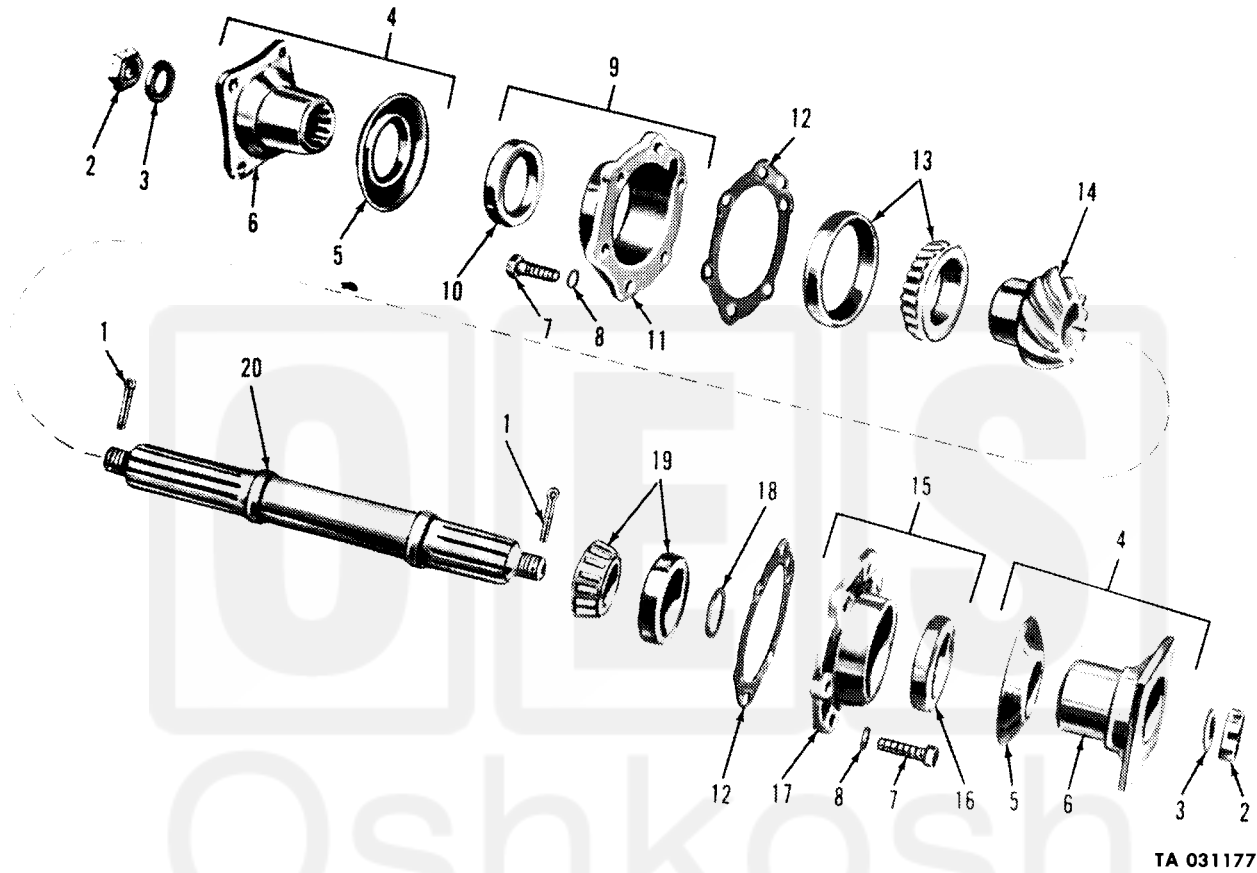


Current part is item (10,16) on diagram. Available at www.oshkoshequipment.com

(1)	(2)	(3)	(4)	(5)	(6)	(7)	(8)
ILLUS.							QTY
FIG.	(a)	SMR	NATIONAL	PART		DESCRIPTION	U/M
NO.	ITEM	CODE	STOCK	NUMBER	FSCM	USABLE ON CODE	INC
NO.	NO.		NUMBER				IN
							UNIT
1002-DIFFERENTIAL (CONT'D)							
81	25	PAHZZ	5310-00-494-8498	10896715	19207	WASHER, FLAT	EA 4
81	26	PAHZZ	5306-00-689-8852	MS51095-328	96906	BOLT: LOCK ADJUSTING RING	EA 2
81	27	PAHZZ	5310-00-752-1786	7521786	19207	WASHER, KEY: CASE BEARING ADJUSTING NUT	EA 2
81	28	PAHZZ	3130-00-087-3916	7700130	19207	CAP ASSEMBLY	EA 2
81	29	XBHZZ		712521	21450	BEARING ASSEMBLY	EA 2
81	30	XAHZZ		7700132	19207	CASE AND GEAR ASSEMBLY	EA 1
81	31	XBHZZ		10938304-1	19207	NUT, SLOTTED, HEXAGON	EA 8
81	32	PAHZZ	5306-00-752-1790	7521790	19207	BOLT, MACHINE	EA 8
81	33	PAHZZ	2520-00-752-1778	7521778	19207	CASE ASSEMBLY	EA 2
81	34	KFHZZ		7529060	19207	WASHER, THRUST: SIDE GEAR, (PART OF KIT, P/N5702299)	EA 2
81	35	KFHZZ		7529061	19207	GEAR: SIDE (PART OF KIT, P/N5702299)	EA 2
81	36	KFHZZ		7529058	19207	WASHER, THRUST: PINION (PART OF KIT, P/N5702299)	EA 4
81	37	KFHZZ		8380939	19207	PINION ASSEMBLY (PART OF KIT, P/N5702299)	EA 4
81	38	KFHZZ		8380940	19207	SPIDER (PART OF KIT, P/N5702299)	EA 1
81	39	PAHZZ	3020-00-752-1686	7521686	19207	GEAR, HELICAL	EA 1
81	40	XAHZZ		7529063	19207	CARRIER	EA 1
82	1	PAFZZ	5315-00-013-7214	MS24665-359	96906	PIN, COTTER	EA 2
82	2	PAFZZ	5310-00-752-1234	7521234	19207	NUT, SLOTTED, HEXAGON	EA 2
82	3	PAFZZ	5310-00-752-1235	7521235	19207	WASHER, FLAT	EA 2
82	4	PAFZZ	2520-00-752-1276	7521276	19207	FLANGE: COMPANION, THROUGH SHAFT, W/DEFLECTOR ASSEMBLY	EA 2
82	5	PAFZZ	2520-00-692-6080	7521242	19207	DEFLECTOR, DIRT AND LIQUID: DUST, COMPANION FLANGE	EA 2
82	6	PAFZZ	2520-00-134-5124	8757674	19207	FLANGE, DIFFERENTIAL	EA 2
82	7	PAHZZ	5305-00-071-2068	MS90728-112	96906	SCREW, CAP, HEXAGON HEAD	EA 12
82	8	PAHZZ	5310-00-079-1979	7748742	19207	WASHER, FLAT	EA 12
82	9	PAHZZ	2520-00-752-1703	7521703	19207	RETAINER ASSEMBLY: THROUGH SHAFT REAR BEARING, W/OIL SEAL ASSEMBLY	EA 1
82	10	PAHZZ	5330-00-143-8666	7521241	19207	SEAL, PLAIN, ENCASED: OIL, THROUGH RETAINER	EA 1

Current part is item (10,16) on diagram. Available at www.oshkoshequipment.com

(1)	(2)	(3)	(4)	(5)	(6)	(7)	(8)
ILLUS.							QTY
(a)	(b)	SMR	NATIONAL	PART	DESCRIPTION	U/M	INC
FIG.	ITEM	CODE	STOCK	NUMBER	FSCM		IN
NO.	NO.		NUMBER		USABLE ON CODE		UNIT
1002-DIFFERENTIAL (CONT'D)							
82	11	XAHZZ		8757660	19207	RETAINER	EA 1
82	12	KFHZZ		7521709	19207	SHIM:0.003(PART OF SET, P/N7521764)	EA 4
82	12	KFHZZ		7521708	19207	SHIM:0.005(PART OF SET, P/N7521764)	EA 6
82	12	KFHZZ		7521707	19207	SHIM:0.010(PART OF SET, P/N7521764)	EA 2
82	13	XBHZZ		712157	21450	BEARING ASSEMBLY	EA 1
82	14	KFHZZ		7529055	19207	PINION(PART OF SET, P/N7521712)	EA 1
82	15	PAHZZ	2520-00-752-1704	7521704	19207	RETAINER ASSEMBLY:THROUGH SHAFT FRONT BEARING W/OIL SEAL ASSEMBLY	EA 1
82	16	PAHZZ	5330-00-143-8666	7521241	19207	SEAL,PLAIN,ENCASED: OIL THROUGH RETAINER	EA 1
82	17	XAHZZ		7700134	19207	RETAINER	EA 1
82	18	PAHZZ	5365-00-248-4773	7700137	19207	SPACER,RING	EA 1
82	19	XBHZZ		714009	21450	BEARING ASSEMBLY	EA 1
82	20	PAHZZ	2530-00-752-1716	7521716	19207	SHAFT	EA 1
81		PAHZZ	5330-00-752-1764	7521764	19207	GASKET AND SHIM SET: DIFFERENTIAL	EA 1
81	5					GASKET	EA 1
81	9					GASKET	EA 1
81	13					SHIM	EA 1
81	13					SHIM	EA 4
81	13					SHIM	EA 1
82	12					SHIM	EA 4
82	12					SHIM	EA 6
82	12					SHIM	EA 2
81		PAHZZ	3020-00-752-1712	7521712	19207	GEAR SET:BEVEL(MATCHED)	SE 1
81	22					GEAR	EA 1
82	14					PINION	EA 1
81		PAHZZ	2520-00-629-8827	5702299	19207	PARTS KIT,DIFFERENTIAL	EA 1
81	34					WASHER	EA 2
81	35					GEAR	EA 2



TA 031177

Figure 82. Front differential.

Oshkosh
Equipment Sales

(1)	(2)	(3)	(4)	(5)	(6)	(7)	(8)
ILLUS.							QTY
(a)	(b)	SMR	NATIONAL	PART		DESCRIPTION	U/M
FIG.	ITEM	CODE	STOCK	NUMBER	FSCM		INC
NO.	NO.		NUMBER			USABLE ON CODE	IN
							UNIT
						1102-DIFFERENTIAL (CONT'D)	
86A	27	PAHZZ	5310-00-752-1786	7521786	19207	WASHER, KEY: CASE BEARING ADJUSTING NUT	EA 2
86A	28	PAHZZ	3130-00-087-3916	7700130	19207	CAP ASSEMBLY	EA 2
86A	29	XBHZZ		712521	21450	BEARING ASSEMBLY	EA 2
86A	30	XAHZZ		7700132	19207	CASE AND GEAR ASSEMBLY	EA 1
86A	31	XBHZZ		10938304-1	19207	NUT, SLOTTED, HEXAGON	EA 8
86A	32	PAHZZ	5306-00-752-1790	7521790	19207	BOLT, MACHINE	EA 8
86A	33	PAHZZ	2520-00-752-1778	7521778	19207	CASE ASSEMBLY	EA 2
86A	34	KFHZZ		7529060	19207	WASHER, THRUST: SIDE GEAR (PART OF KIT, P/N5702299)	EA 2
86A	35	KFHZZ		7529061	19207	GEAR: SIDE (PART OF KIT, P/N5702299)	EA 2
86A	36	KFHZZ		7529058	19207	WASHER, THRUST: PINION (PART OF KIT, P/N5702299)	EA 4
86A	37	KFHZZ		8380939	19207	PINION ASSEMBLY (PART OF KIT, P/N5702299)	EA 4
86A	38	KFHZZ		8380940	19207	SPIDER (PART OF KIT, P/N5702299)	EA 1
86A	39	PAHZZ	3020-00-752-1686	7521686	19207	GEAR, HELICAL	EA 1
86A	40	XAHZZ		7529063	19207	CARRIER	EA 1
86B	1	PAFZZ	5315-00-013-7214	MS24665-359	96906	PIN, COTTER	EA 2
86B	2	PAFZZ	5310-00-752-1234	7521234	19207	NUT, SLOTTED, HEXAGON	EA 2
86B	3	PAFZZ	5310-00-752-1235	7521235	19207	WASHER, FLAT	EA 2
86B	4	PAFZZ	2520-00-752-1276	7521276	19207	FLANGE: COMPANION, THROUGH SHAFT, W/DEFLECTOR ASSEMBLY	EA 2
86B	5	PAFZZ	2520-00-692-6080	7521242	19207	DEFLECTOR, DIRT AND LIQUID: DUST, COMPANION FLANGE	EA 2
86B	6	PAFZZ	2520-00-134-5124	8757674	19207	FLANGE, DIFFERENTIAL	EA 2
86B	7	PAHZZ	5305-00-071-2068	MS90728-112	96906	SCREW, CAP, HEXAGON HEAD	EA 12
86B	8	PAHZZ	5310-00-079-1979	7748742	19207	WASHER, FLAT	EA 12
86B	9	PAHZZ	2520-00-752-1703	7521703	19207	RETAINER ASSEMBLY: THROUGH SHAFT REAR BEARING, W/OIL SEAL ASSEMBLY	EA 1
86B	10	PAHZZ	5330-00-143-8666	7521241	19207	SEAL, PLAIN, ENCASED: OIL THROUGH RETAINER	EA 1
86B	11	XAHZZ		8757660	19207	RETAINER	EA 1
86B	12	KFHZZ		7521709	19207	SHIM: 0.003 (PART OF SET, P/N7521764)	EA 4

(1)	(2)	(3)	(4)	(5)	(6)	(7)	(8)
ILLUS.							QTY
(a)	(b)	SMR	NATIONAL	PART	DESCRIPTION	U/M	INC
FIG.	ITEM	CODE	STOCK	NUMBER	FSCM		IN
NO.	NO.		NUMBER		USABLE ON CODE		UNIT
					1102-DIFFERENTIAL (CONT'D)		
86B	12	KFHZZ		7521708	19207 SHIM:0.005(PART OF SET, P/N7521764)	EA	6
86B	12	KFHZZ		7521707	19207 SHIM:0.010(PART OF SET, P/N7521712)	EA	2
86B	13	XBHZZ		712157	21450 BEARING ASSEMBLY	EA	1
86B	14	KFHZZ		7529055	19207 PINION(PART OF SET, P/N7521712)	EA	1
86B	15	PAHZZ	2520-00-752-1704	7521704	19207 RETAINER ASSEMBLY:THROUGH SHAFT FRONT BEARING,W/OIL SEAL ASSEMBLY	EA	1
86B	16	PAHZZ	5330-00-143-8666	7521241	19207 SEAL,PLAIN,ENCASED: OIL,THROUGH RETAINER	EA	1
86B	17	XAHZZ		7700134	19207 RETAINER	EA	1
86B	18	PAHZZ	5365-00-248-4773	7700137	19207 SPACER,RING	EA	1
86B	19	XBHZZ		714009	21450 BEARING ASSEMBLY	EA	1
86B	20	PAHZZ	2530-00-752-1716	7521716	19207 SHAFT	EA	1
86A		PAHZZ	5330-00-752-1764	7521764	19207 GASKET AND SHIM SET: DIFFERENTIAL	EA	2
86A	5				GASKET	EA	1
86A	9				GASKET	EA	1
86A	13				SHIM	EA	1
86A	13				SHIM	EA	1
86A	13				SHIM	EA	4
86B	12				SHIM	EA	4
86B	12				SHIM	EA	6
86B	12				SHIM	EA	2
86A		PAHZZ	3020-00-752-1712	7521712	19207 GEAR SET:BEVEL(MATCHED)	SE	2
86A	22				GEAR	EA	1
86B	14				PINION	EA	1
86A		PAHZZ	2520-00-629-8827	5702299	19207 PARTS KIT,DIFFERENTIAL	EA	2
86A	34				WASHER	EA	2
86A	35				GEAR	EA	4
86A	36				WASHER	EA	4
86A	37				PINION ASSEMBLY	EA	4
86A	38				SPIDER	EA	1

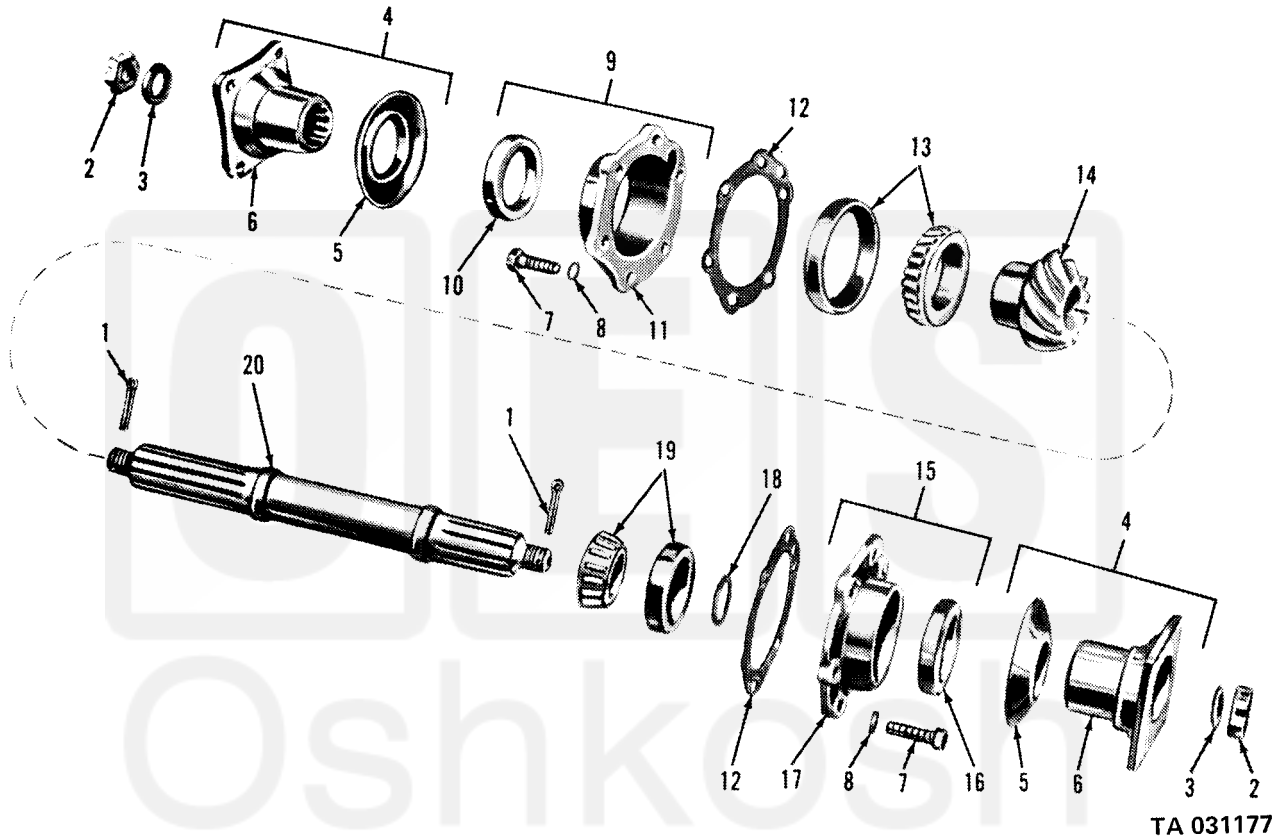


Figure 86b. Rear differential.